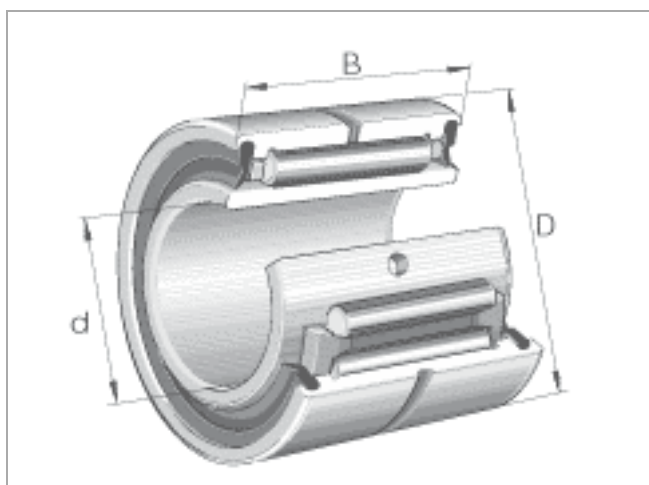




Needle roller bearings NA49..-2RSR

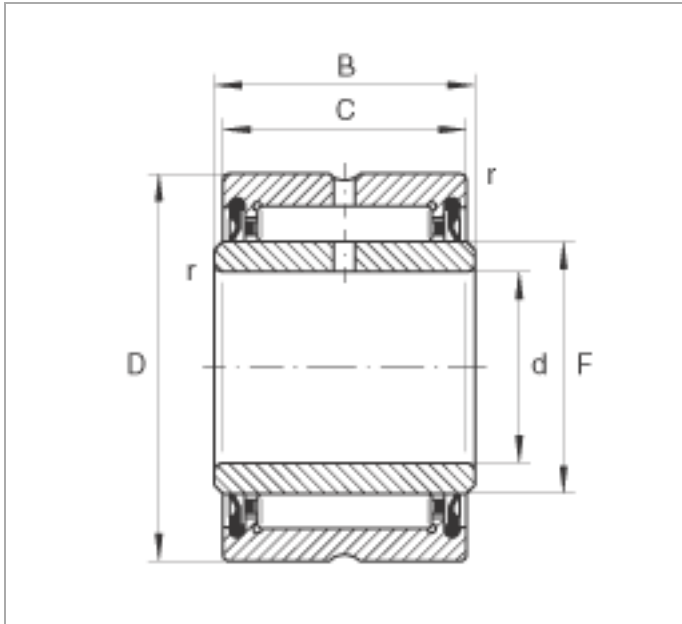
dimension series 49, lip seals on both sides

The datasheet is only an overview of dimensions and basic load ratings of the selected series. Please pay attention to all the advice in these overview pages. Further information is given on many products under the menu item "Description". You can also order comprehensive information via the Catalogue ordering system (<http://www.ina.de/content.ina.de/en/services/mediathek/library/library.jsp>) or by telephone on +49 (91 32) 82 - 28 97.



	d mm	D mm	B mm
NA4900-2RSR	10	22	14
NA4901-2RSR	12	24	14
NA4902-2RSR	15	28	14
NA4903-2RSR	17	30	14
NA4904-2RSR	20	37	18
NA4905-2RSR	25	42	18
NA4906-2RSR	30	47	18
NA4907-2RSR	35	55	21
NA4908-2RSR	40	62	23
NA4909-2RSR	45	68	23
NA4910-2RSR	50	72	23

Figure 1



NA4900-2RSR



d	10 mm	
D	22 mm	
B	14 mm	
C	13 mm	
F	14 mm	
r _{min}	0,3 mm	
m	24,5 g	Mass
C _r	7700 N	Basic dynamic load rating, radial
C _{0r}	6900 N	Basic static load rating, radial
C _{ur}	1360 N	Fatigue limit load, radial
n _{G Fett}	13000 1/min	Limiting speed for grease lubrication

NA4901-2RSR



d	12 mm	
D	24 mm	
B	14 mm	
C	13 mm	
F	16 mm	
r _{min}	0,3 mm	
m	27,5 g	Mass
C _r	8600 N	Basic dynamic load rating, radial
C _{0r}	8300 N	Basic static load rating, radial
C _{ur}	1630 N	Fatigue limit load, radial
n _{G Fett}	12000 1/min	Limiting speed for grease lubrication

NA4902-2RSR



d	15 mm	
D	28 mm	
B	14 mm	
C	13 mm	
F	20 mm	
r _{min}	0,3 mm	
m	37 g	Mass
C _r	9700 N	Basic dynamic load rating, radial
C _{0r}	10300 N	Basic static load rating, radial
C _{ur}	2040 N	Fatigue limit load, radial
n _{G Fett}	10000 1/min	Limiting speed for grease lubrication

NA4903-2RSR



d	17 mm	
D	30 mm	
B	14 mm	
C	13 mm	
F	22 mm	
r _{min}	0,3 mm	
m	40 g	Mass
C _r	10000 N	Basic dynamic load rating, radial
C _{0r}	11000 N	Basic static load rating, radial
C _{ur}	2180 N	Fatigue limit load, radial
n _{G Fett}	9000 1/min	Limiting speed for grease lubrication

NA4904-2RSR



d	20 mm	
D	37 mm	
B	18 mm	
C	17 mm	
F	25 mm	
r _{min}	0,3 mm	
m	80 g	Mass
C _r	19500 N	Basic dynamic load rating, radial
C _{0r}	19900 N	Basic static load rating, radial
C _{ur}	3750 N	Fatigue limit load, radial
n _{G Fett}	7500 1/min	Limiting speed for grease lubrication

NA4905-2RSR



d	25 mm	
D	42 mm	
B	18 mm	
C	17 mm	
F	30 mm	
r _{min}	0,3 mm	
m	89,5 g	Mass
C _r	21800 N	Basic dynamic load rating, radial
C _{0r}	24200 N	Basic static load rating, radial
C _{ur}	4550 N	Fatigue limit load, radial
n _{G Fett}	6500 1/min	Limiting speed for grease lubrication

NA4906-2RSR



d	30 mm	
D	47 mm	
B	18 mm	
C	17 mm	
F	35 mm	
r _{min}	0,3 mm	
m	104 g	Mass
C _r	23900 N	Basic dynamic load rating, radial
C _{0r}	28500 N	Basic static load rating, radial
C _{ur}	5400 N	Fatigue limit load, radial
n _{G Fett}	5500 1/min	Limiting speed for grease lubrication

NA4907-2RSR



d	35 mm	
D	55 mm	
B	21 mm	
C	20 mm	
F	42 mm	
r _{min}	0,6 mm	
m	175 g	Mass
C _r	29500 N	Basic dynamic load rating, radial
C _{0r}	39500 N	Basic static load rating, radial
C _{ur}	7200 N	Fatigue limit load, radial
n _{G Fett}	4800 1/min	Limiting speed for grease lubrication

NA4908-2RSR



d	40 mm	
D	62 mm	
B	23 mm	
C	22 mm	
F	48 mm	
r _{min}	0,6 mm	
m	252 g	Mass
C _r	41000 N	Basic dynamic load rating, radial
C _{0r}	53000 N	Basic static load rating, radial
C _{ur}	8800 N	Fatigue limit load, radial
n _{G Fett}	4200 1/min	Limiting speed for grease lubrication

NA4909-2RSR



d	45 mm	
D	68 mm	
B	23 mm	
C	22 mm	
F	52 mm	
r _{min}	0,6 mm	
m	290 g	Mass
C _r	43000 N	Basic dynamic load rating, radial
C _{0r}	59000 N	Basic static load rating, radial
C _{ur}	9700 N	Fatigue limit load, radial
n _{G Fett}	3900 1/min	Limiting speed for grease lubrication

NA4910-2RSR



d	50 mm	
D	72 mm	
B	23 mm	
C	22 mm	
F	58 mm	
r _{min}	0,6 mm	
m	295 g	Mass
C _r	45000 N	Basic dynamic load rating, radial
C _{0r}	64000 N	Basic static load rating, radial
C _{ur}	10600 N	Fatigue limit load, radial
n _{G Fett}	3500 1/min	Limiting speed for grease lubrication